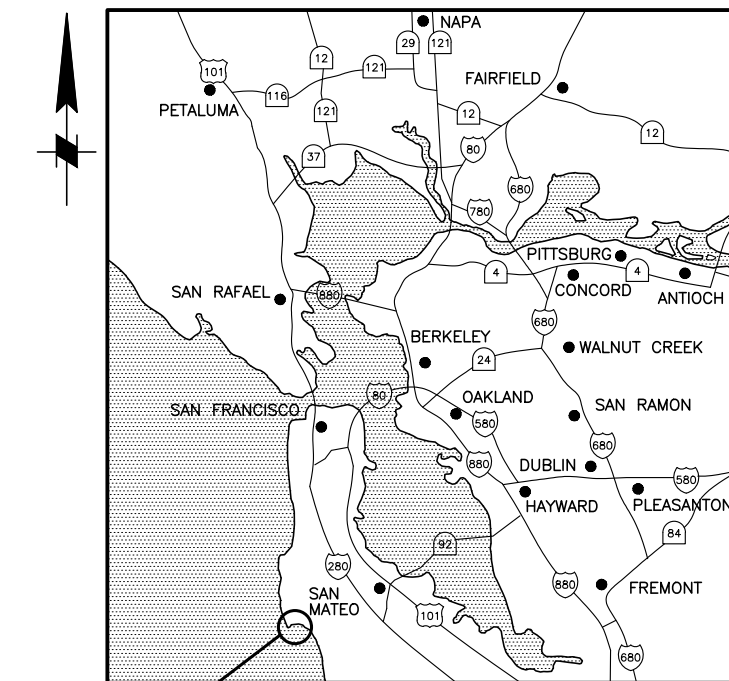


LAUNCH RAMP MAINTENANCE DREDGING PILLAR POINT HARBOR

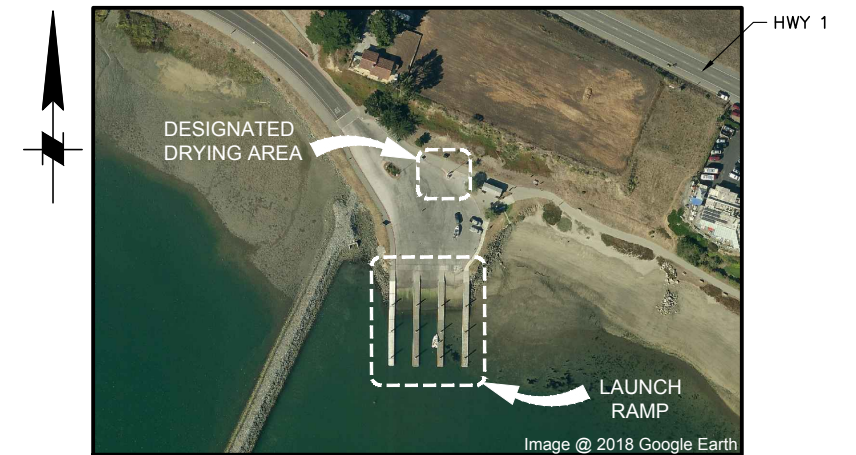
SAN MATEO COUNTY HARBOR DISTRICT SAN MATEO COUNTY, CALIFORNIA



PILLAR POINT HARBOR
VICINITY MAP
NTS



LOCATION MAP
NTS



SITE PLAN
NTS

INDEX OF DRAWINGS		
SHEET NO.	DRAWING NUMBER	TITLE
1	G1	TITLE SHEET
2	C1	DREDGING AND DISPOSAL SITE PLAN
3	C2	DREDGE AND DISPOSAL SITE CROSS-SECTIONS

100% DESIGN – NOT FOR CONSTRUCTION

G:\WC\9673-07 Pillar Point Launch Ramp Dredging\4_CADD\967307_G1.dwg Mar 22, 2019 - 1:08pm



SAN MATEO COUNTY HARBOR DISTRICT
504 Avenue Alhambra, 2nd Floor
El Granada, CA 94018
(650) 741-9163

REVISION	DESCRIPTION	BY	DATE



2185 N. California Blvd, Suite 500
Walnut Creek, California 94596 925.944.5411

DSGN NN	DR EP	CHK JFJ/NN
JOB NO. 9673-07	SUBMITTED BY	TITLE

SAN MATEO COUNTY HARBOR DISTRICT
LAUNCH RAMP MAINTENANCE DREDGING

DATE 02/19/2019

TITLE SHEET

G1

DREDGING LIMITS

WORKING POINT TABLE				
POINT #	DESCRIPTION	ELEVATION	NORTHING	EASTING
1	TOP OF RAMP	9.000	2011415.75	5988115.50
2	DREDGING TOE	-6.000	2011347.62	5988143.98
3	DREDGING TOE	-6.000	2011177.37	5988129.93
4	DREDGING TOE	-6.000	2011184.04	5988075.00
5	DREDGING TOE	-6.000	2011200.00	5988006.25
6	DREDGING TOE	-6.000	2011240.22	5987990.22
7	TOP OF RAMP	9.000	2011419.56	5988001.98
8	PERMITTED DREDGING TOE	-6.000	2011380.54	5988196.36
9	PERMITTED DREDGING TOE	-6.000	2011147.35	5988184.19
10	PERMITTED DREDGING TOE	-6.000	2011238.98	5987956.24
11	PERMITTED DREDGING TOE	-6.000	2011346.65	5987961.86

DREDGE DISPOSAL SITE

PERIMETER WORKING POINT TABLE			
POINT #	DESCRIPTION	NORTHING	EASTING
1	CORNER	2016396.99	5982215.22
2	CORNER	2016479.20	5982272.16
3	CORNER	2016408.98	5982375.57
4	CORNER	2016326.77	5982318.63

ESTIMATED DREDGING QUANTITIES

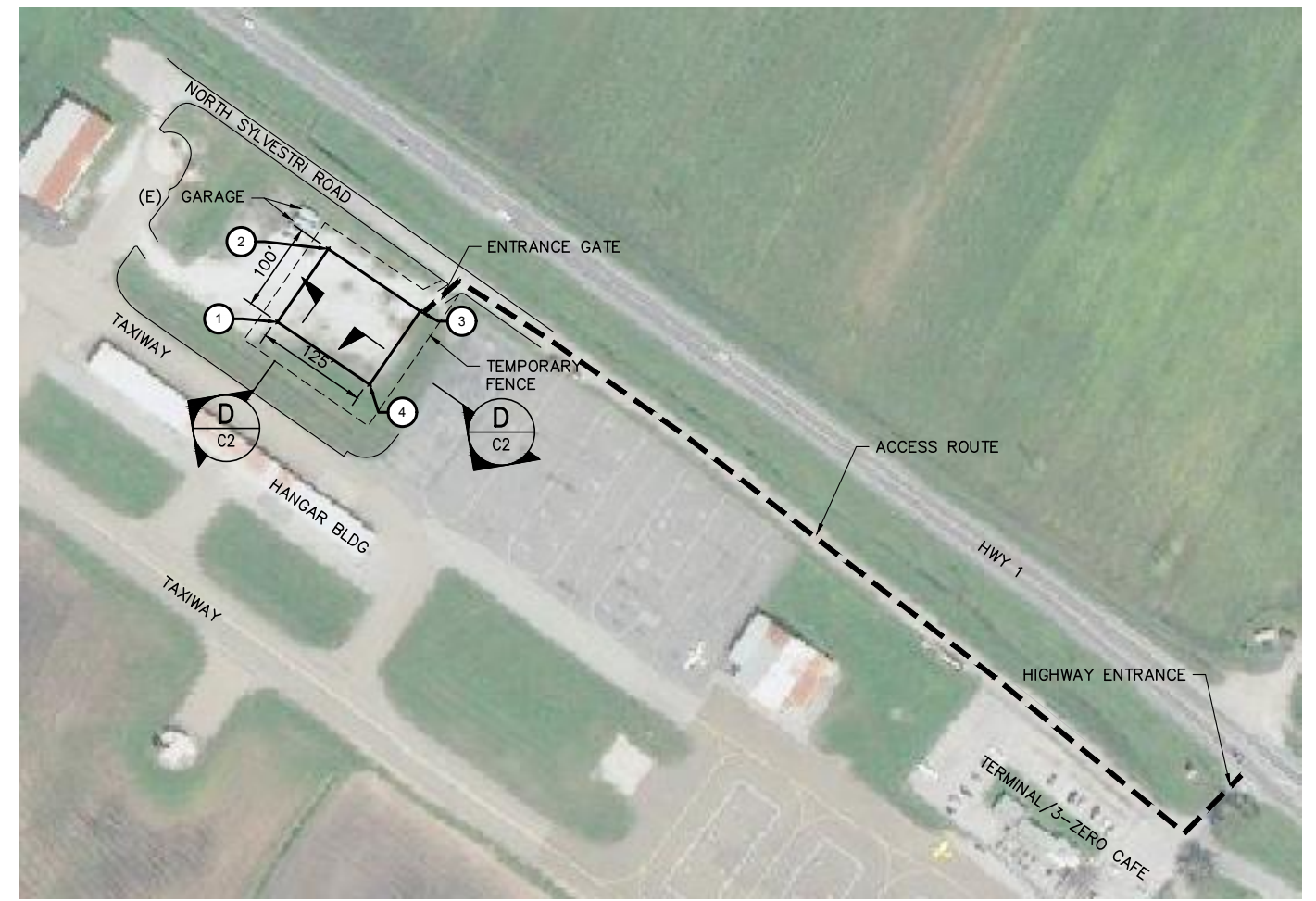
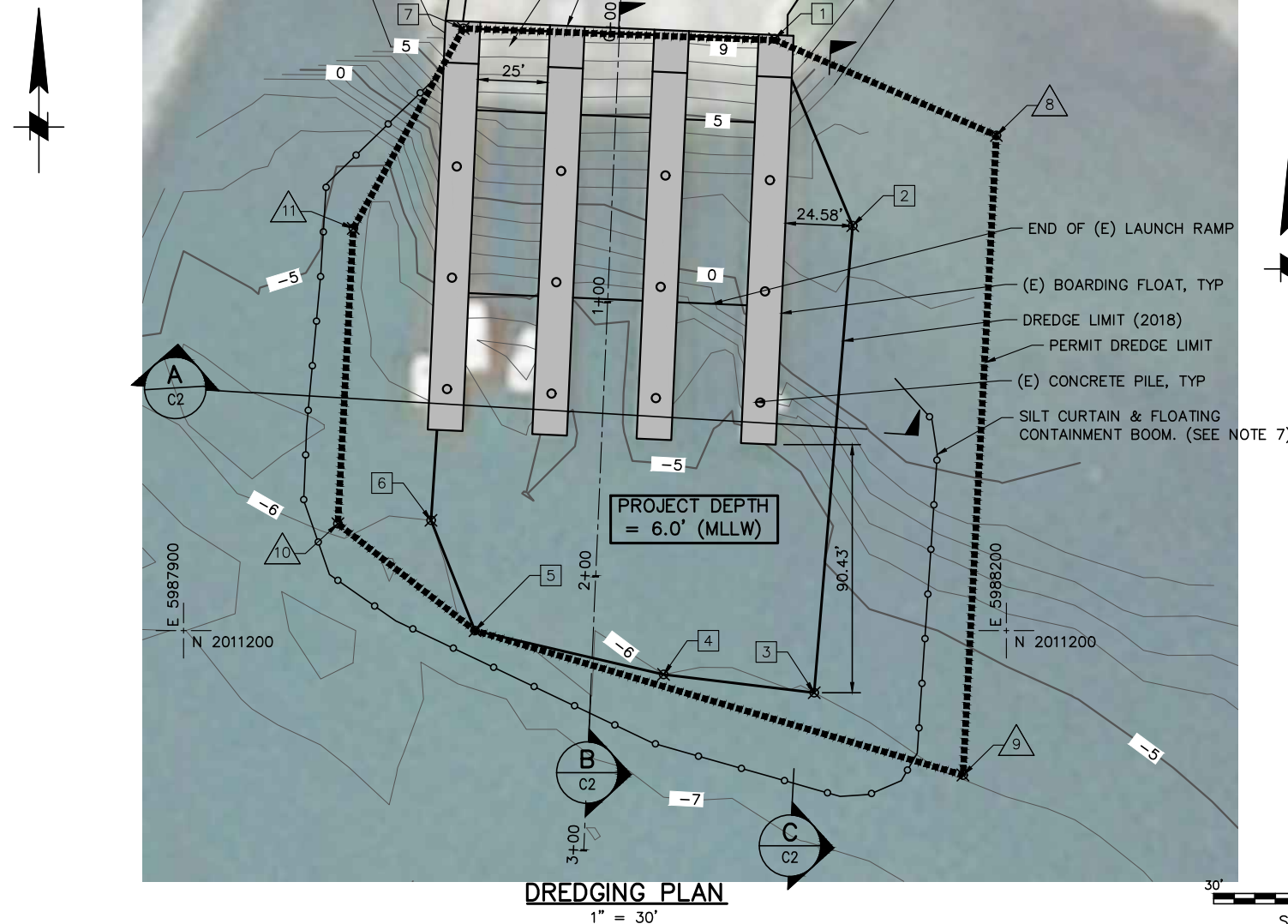
DREDGING ELEVATION (MLLW) DREDGING VOLUME (CY)
 PROJECT GRADE: -6' 1,600

DREDGING NOTES

1. THESE NOTES SUMMARIZES THE DREDGING REQUIREMENTS IN THE CONTRACT.
2. DREDGING SHALL BE PERFORMED USING LAND BASED MECHANICAL EQUIPMENT ONLY. USE OF HYDRAULIC DREDGING EQUIPMENT IS NOT PERMITTED.
3. A SILT CURTAIN SHALL BE INSTALLED IN THE APPROXIMATE LOCATION SHOWN ON THE PROJECT PLANS WHENEVER DREDGING OPERATIONS ARE PERFORMED.
4. THE QUANTITY OF DREDGED MATERIAL REMOVED SHALL NOT EXCEED 1.600 CY.
5. CONTRACTOR SHALL DREDGE ALL LAUNCH RAMP LANES TO THE -6 FT MLLW CONTOUR INCLUDING. MATERIAL FROM THE SHOAL LOCATED TO THE EAST OF THE LAUNCH RAMP.
6. NO PAYMENT WILL BE MADE FOR DREDGING BEYOND THE DREDGE LIMITS, AND THE CONTRACTOR SHALL BE RESPONSIBLE FOR ANY FINES ASSESSED BY REGULATORY AGENCIES FOR DREDGING BEYOND THE LIMITS OF DREDGING (HORIZONTAL AND/OR VERTICAL).
7. TWO BOAT LAUNCH RAMP LANES (ONE LAUNCH BAY) SHALL REMAIN OPEN FOR USE DURING ALL DREDGING OPERATIONS. LOCATE SILT CURTAIN AND FLOATING CONTAINMENT BOOM ACCORDINGLY.

HYDROGRAPHIC SURVEY NOTES

1. LOCATION OF BOAT RAMP, BOARDING FLOATS, SHORELINE AND OTHER FEATURES SHOWN ARE APPROXIMATE.
- SURVEY NOTES**
- BATHYMETRIC SURVEY**
1. MULTI-BEAM BATHYMETRIC SURVEY PERFORMED BY ETRAC INC. ON APRIL 27, 2017. STANDARD FIELD CALIBRATION PROCEDURES WERE PERFORMED.
 2. VERTICAL DATUM IS MEAN LOWER LOW WATER REFERENCED TO USC & GS DISK "TIDAL 5-1929" LOCATED ON CAPISTRANO ROAD. ELEVATION = 14.21' MLLW (1983-2001 EPOCH).
 3. HORIZONTAL CONTROL US COASTGUARD BEACON. (LINCOLN, CA - 314 MHZ).
 4. HORIZONTAL DATUM IS NAD 83 PROJECTION TO STATE PLANE COORDINATE SYSTEM CALIFORNIA, ZONE 3 (0403).
 5. GRID UNITS - U.S. FEET.
 6. BATHYMETRIC DATA IS REPRESENTATIVE OF THE CONDITIONS PRESENT AT THE TIME OF SURVEY.



DREDGING PLAN
1" = 30'

DISPOSAL SITE PLAN
1" = 100'

100% DESIGN - NOT FOR CONSTRUCTION

C:\WC\9673-07 Fillar Point Launch Ramp Dredging\4_CADD\967307_C1.dwg Mar 22, 2019 - 1:08pm



SAN MATEO COUNTY HARBOR DISTRICT
 504 Avenue Alhambra, 2nd Floor
 El Granada, CA 94018
 (650) 741-9163

REVISION	DESCRIPTION	BY	DATE



2185 N. California Blvd, Suite 500
 Walnut Creek, California 94596 925.944.5411

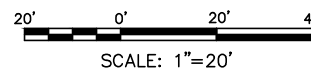
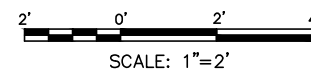
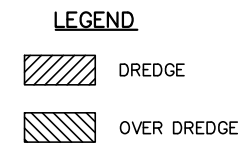
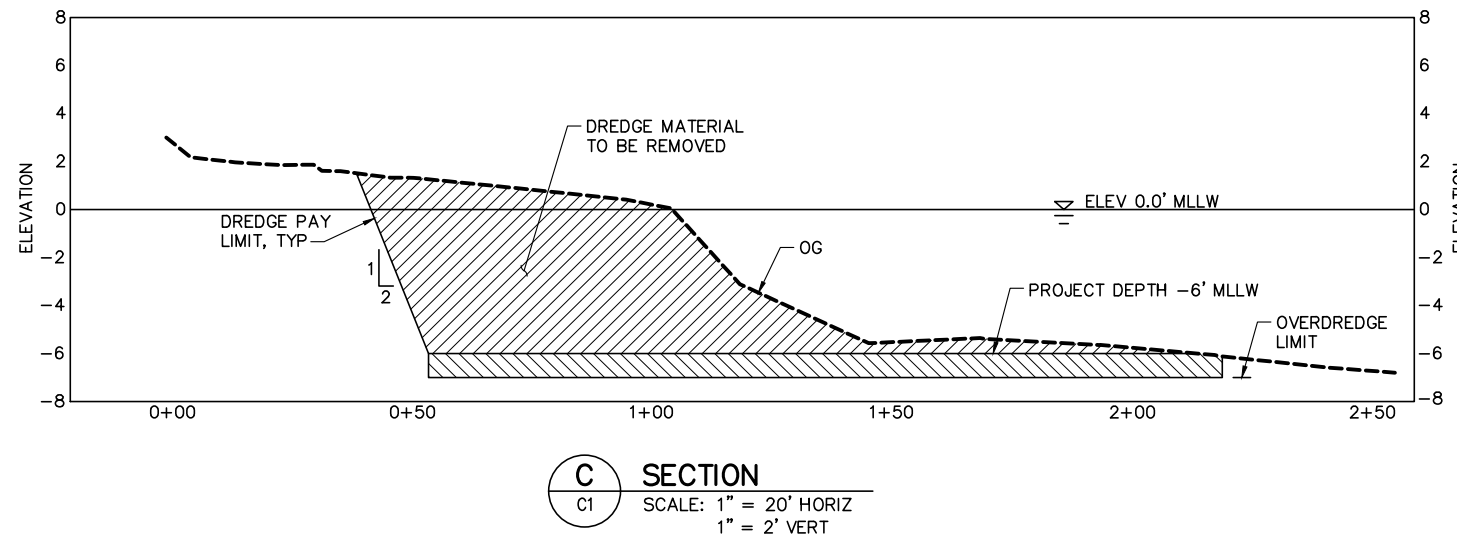
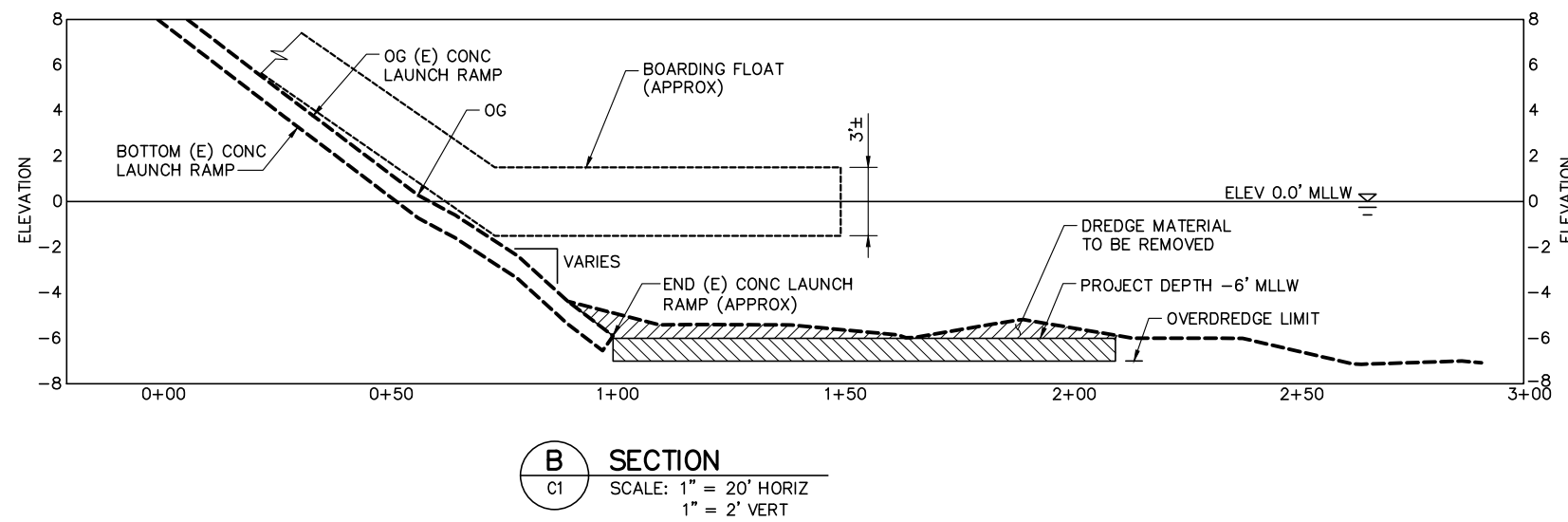
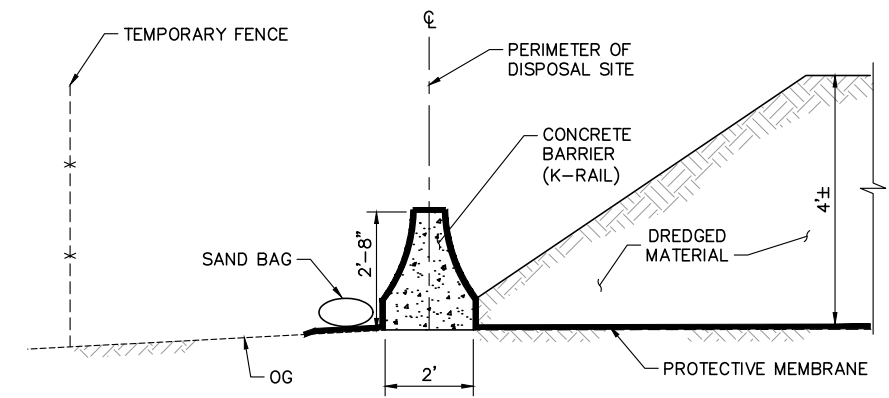
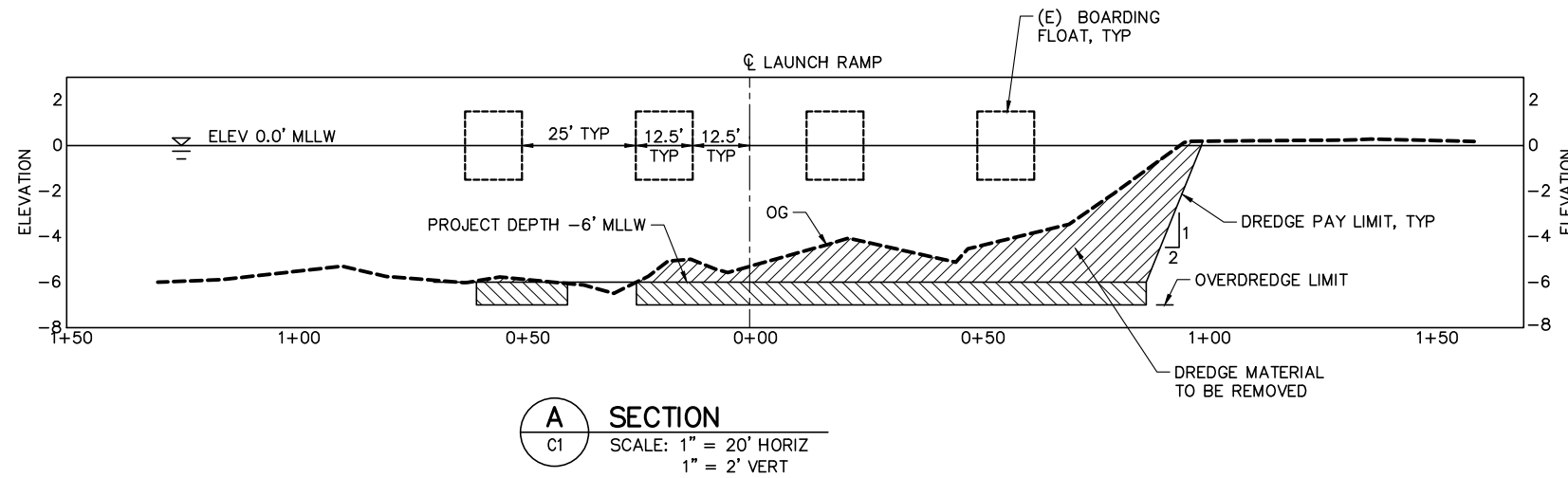
DSGN NN	DR EP	CHK JFJ/NN
JOB NO. 9673-07	SUBMITTED BY	TITLE

SAN MATEO COUNTY HARBOR DISTRICT
 LAUNCH RAMP MAINTENANCE DREDGING

DATE 02/19/2019

DREDGING AND DISPOSAL SITE PLAN

C1



- NOTES:**
- PROTECTIVE MEMBRANE SHALL BE PLACED UNDER THE DREDGED MATERIAL STOCKPILE AND SECURED TO PREVENT DREDGED MATERIAL CONTACT WITH EXISTING GROUND.
 - PROTECTIVE MEMBRANE SHALL BE SECURED WITH SANDBAGS OR A COMPARABLE METHOD.

100% DESIGN – NOT FOR CONSTRUCTION

C:\WC\9673-07 Pillar Point Launch Ramp Dredging\4_CADD\967307_C2.dwg Mar 22, 2019 - 1:09pm



SAN MATEO COUNTY HARBOR DISTRICT
504 Avenue Alhambra, 2nd Floor
El Granada, CA 94018
(650) 741-9163

REVISION	DESCRIPTION	BY	DATE



2185 N. California Blvd, Suite 500
Walnut Creek, California 94596 925.944.5411

DSGN NN	DR PH	CHK JF/JN
JOB NO. 9673-07	SUBMITTED BY	TITLE

SAN MATEO COUNTY HARBOR DISTRICT
LAUNCH RAMP MAINTENANCE DREDGING

DATE 02/19/2019

**DREDGE AND DISPOSAL SITE
CROSS-SECTIONS**

C2